



 PriceList

LV- Power Quality Products and Equipments

With effect from March 12, 2018



schneider-electric.co.in

- LV- Power Quality Products and Equipments
 - Can Type 440V Range05
 - Box Type 440V Range06
 - Capacitor for Detuned filter Application 480V & 525V07
 - Detuned Reactor 440V range 5.67 % , 7% & 14 % 10
 - APFC Relays..... 11
 - TeSys Capacitor Duty Contactors (AC control)..... 11
 - Power Factor Correction Equipment- VarSet 13
 - Harmonic Filtration Equipment-AccuSine..... 16
 - Selection of capacitor (kVAr & Voltage) for Detuned filter Application 17



VarPlus Box Xtreme

Built to perform in **Xtreme** conditions

- Designed for 60°C, offers 60% more life than products designed at 55°C
- Tested to perform 150,000 hrs life in standard operating conditions
- Xtreme inrush withstand of 350X In
- Designed to work in Xtreme environments

New



Power Factor Correction Products




Can (Cylindrical) Type 440V Capacitors

Description	kVAr Rating	Minimum Ordering Quantity (No.)	Reference	Unit LP
EasyCan (S Duty) 440V Range				
MPP - Standard Duty Can 3Ph 1kVAr 440V 50Hz	1	3	MEHVCSDY010A44	408
MPP - Standard Duty Can 3Ph 2kVAr 440V 50Hz	2	3	MEHVCSDY020A44 <input checked="" type="checkbox"/>	568
MPP - Standard Duty Can 3Ph 3kVAr 440V 50Hz	3	3	MEHVCSDY030A44 <input checked="" type="checkbox"/>	852
MPP - Standard Duty Can 3Ph 4kVAr 440V 50Hz	4	3	MEHVCSDY040A44 <input checked="" type="checkbox"/>	1137
MPP - Standard Duty Can 3Ph 5kVAr 440V 50Hz	5	3	MEHVCSDY050A44 <input checked="" type="checkbox"/>	1126
MPP - Standard Duty Can 3Ph 7.5kVAr 440V 50Hz	7.5	3	MEHVCSDY075A44	1690
MPP - Standard Duty Can 3Ph 10kVAr 440V 50Hz	10	1	MEHVCSDY100A44 <input checked="" type="checkbox"/>	1976
MPP - Standard Duty Can 3Ph 12.5kVAr 440V 50Hz	12.5	1	MEHVCSDY125A44 <input checked="" type="checkbox"/>	2469
MPP - Standard Duty Can 3Ph 15kVAr 440V 50Hz	15	1	MEHVCSDY150A44 <input checked="" type="checkbox"/>	2962
MPP - Standard Duty Can 3Ph 20kVAr 440V 50Hz	20	1	MEHVCSDY200A44 <input checked="" type="checkbox"/>	3948
MPP - Standard Duty Can 3Ph 25kVAr 440V 50Hz	25	1	MEHVCSDY250A44 <input checked="" type="checkbox"/>	4937
VarPlus Can (H Duty) 440V Range				
MPP - Heavy Duty Can 3Ph 1kVAr 440V 50Hz	1	3	MEHVCHDY010A44	544
MPP - Heavy Duty Can 3Ph 2kVAr 440V 50Hz	2	3	MEHVCHDY020A44 <input checked="" type="checkbox"/>	853
MPP - Heavy Duty Can 3Ph 3kVAr 440V 50Hz	3	3	MEHVCHDY030A44 <input checked="" type="checkbox"/>	1280
MPP - Heavy Duty Can 3Ph 4kVAr 440V 50Hz	4	3	MEHVCHDY040A44 <input checked="" type="checkbox"/>	1706
MPP - Heavy Duty Can 3Ph 5kVAr 440V 50Hz	5	3	MEHVCHDY050A44 <input checked="" type="checkbox"/>	1796
MPP - Heavy Duty Can 3Ph 7.5kVAr 440V 50Hz	7.5	3	MEHVCHDY075A44	2695
MPP - Heavy Duty Can 3Ph 10kVAr 440V 50Hz	10	1	MEHVCHDY100A44 <input checked="" type="checkbox"/>	3370
MPP - Heavy Duty Can 3Ph 12.5kVAr 440V 50Hz	12.5	1	MEHVCHDY125A44 <input checked="" type="checkbox"/>	4214
MPP - Heavy Duty Can 3Ph 15kVAr 440V 50Hz	15	1	MEHVCHDY150A44 <input checked="" type="checkbox"/>	5055
MPP - Heavy Duty Can 3Ph 20kVAr 440V 50Hz	20	1	MEHVCHDY200A44 <input checked="" type="checkbox"/>	6741
MPP - Heavy Duty Can 3Ph 25kVAr 440V 50Hz	25	1	MEHVCHDY250A44 <input checked="" type="checkbox"/>	8425
MPP - Heavy Duty Can 3Ph 30kVAr 440V 50Hz	30	1	MEHVCHDY300A44	10110
MPP - Heavy Duty Can 3Ph 40kVAr 440V 50Hz (Single unit with IP00)	40	1	MEHVCHDY400A44	13134
MPP - Heavy Duty Can 3Ph 50kVAr 440V 50Hz (Single unit with IP00)	50	1	MEHVCHDY500A44	16417
VarPlus Can (GH Duty) 440V Range				
MPP - Gas Heavy Duty Can 3Ph 5kVAr 440V 50Hz	5	3	MEHVCGSF050A44 <input checked="" type="checkbox"/>	1938
MPP - Gas Heavy Duty Can 3Ph 7.5kVAr 440V 50Hz	7.5	3	MEHVCGSF075A44	2904
MPP - Gas Heavy Duty Can 3Ph 10kVAr 440V 50Hz	10	1	MEHVCGSF100A44 <input checked="" type="checkbox"/>	3582
MPP - Gas Heavy Duty Can 3Ph 12.5kVAr 440V 50Hz	12.5	1	MEHVCGSF125A44 <input checked="" type="checkbox"/>	4475
MPP - Gas Heavy Duty Can 3Ph 15kVAr 440V 50Hz	15	1	MEHVCGSF150A44 <input checked="" type="checkbox"/>	5370
MPP - Gas Heavy Duty Can 3Ph 20kVAr 440V 50Hz	20	1	MEHVCGSF200A44 <input checked="" type="checkbox"/>	7161
MPP - Gas Heavy Duty Can 3Ph 25kVAr 440V 50Hz	25	1	MEHVCGSF250A44 <input checked="" type="checkbox"/>	8950
MPP - Gas Heavy Duty Can 3Ph 30kVAr 440V 50Hz	30	1	MEHVCGSF300A44	10735
MPP - Gas Heavy Duty Can 3Ph 40kVAr 440V 50Hz (Single unit with IP00)	40	1	MEHVCGSF400A44	13897
MPP - Gas Heavy Duty Can 3Ph 50kVAr 440V 50Hz (Single unit with IP00)	50	1	MEHVCGSF500A44	17370

Power Factor Correction Products



Box (Square) Type 440V Capacitors

Description	kVAr Rating	Minimum Ordering Quantity (No.)	Reference	Unit LP 
VarPlus Box S Duty 440V Range				
MPP - Standard Duty Box 3ph 7.5kVAr 440V 50Hz	7.5	1	MEHVBSDY075A44	2244
MPP - Standard Duty Box 3Ph 10kVAr 440V 50Hz	10	1	MEHVBSDY100A44 <input checked="" type="checkbox"/>	2884
MPP - Standard Duty Box 3ph 12.5kVAr 440V 50Hz	12.5	1	MEHVBSDY125A44	3605
MPP - Standard Duty Box 3ph 15kVAr 440V 50Hz	15	1	MEHVBSDY150A44	4324
MPP - Standard Duty Box 3ph 20kVAr 440V 50Hz	20	1	MEHVBSDY200A44 <input checked="" type="checkbox"/>	5766
MPP - Standard Duty Box 3ph 25kVAr 440V 50Hz	25	1	MEHVBSDY250A44 <input checked="" type="checkbox"/>	7207
MPP - Standard Duty Box 3ph 30kVAr 440V 50Hz	30	1	MEHVBSDY300A44	9235
MPP - Standard Duty Box 3ph 50kVAr 440V 50Hz(single unit)	50	1	MEHVBSDY500A44	15393
VarPlus Box Xtreme H Duty 440V Range New				
MPP - Xtreme Heavy Duty Box 3Ph 5kVAr 440V 50Hz	5	1	MEHVBHDY050A44 <input checked="" type="checkbox"/>	2390
MPP - Xtreme Heavy Duty Box 3Ph 7.5kVAr 440V 50Hz	7.5	1	MEHVBHDY075A44	3582
MPP - Xtreme Heavy Duty Box Box 3Ph 10kVAr 440V 50Hz	10	1	MEHVBHDY100A44 <input checked="" type="checkbox"/>	4080
MPP - Xtreme Heavy Duty Box 3Ph 12.5kVAr 440V 50Hz	12.5	1	MEHVBHDY125A44 <input checked="" type="checkbox"/>	5109
MPP - Xtreme Heavy Duty Box 3Ph 15kVAr 440V 50Hz	15	1	MEHVBHDY150A44 <input checked="" type="checkbox"/>	6130
MPP - Xtreme Heavy Duty Box 3Ph 20kVAr 440V 50Hz	20	1	MEHVBHDY200A44 <input checked="" type="checkbox"/>	8171
MPP - Xtreme Heavy Duty Box 3Ph 25kVAr 440V 50Hz	25	1	MEHVBHDY250A44 <input checked="" type="checkbox"/>	10214
MPP - Xtreme Heavy Duty Box 3Ph 30kVAr 440V 50Hz	30	1	MEHVBHDY300A44	12257
MPP - Xtreme Heavy Duty Box 3Ph 50kVAr 440V 50Hz (single unit)	50	1	MEHVBHDY500A44	21096
VarPlus Box Energy (MD-XL) 440V Range				
Energy - MD-XL Box 3Ph 5kVAr 440V 50 Hz	5	1	MEHVBENY050A44 <input checked="" type="checkbox"/>	3746
Energy - MD-XL Box 3Ph 7.5kVAr 440V 50 Hz	7.5	1	MEHVBENY075A44	5618
Energy - MD-XL Box 3Ph 10kVAr 440V 50 Hz	10	1	MEHVBENY100A44 <input checked="" type="checkbox"/>	7152
Energy - MD-XL Box 3Ph 12.5kVAr 440V 50Hz	12.5	1	MEHVBENY125A44	8945
Energy - MD-XL Box 3Ph 15kVAr 440V 50 Hz	15	1	MEHVBENY150A44 <input checked="" type="checkbox"/>	10716
Energy - MD-XL Box 3Ph 20kVAr 440V 50 Hz	20	1	MEHVBENY200A44 <input checked="" type="checkbox"/>	14288
Energy - MD-XL Box 3Ph 25kVAr 440V 50 Hz	25	1	MEHVBENY250A44 <input checked="" type="checkbox"/>	17888
Energy - MD-XL Box 3Ph 30kVAr 440V 50 Hz	30	1	MEHVBENY300A44	21454
Energy - MD-XL Box 3Ph 50kVAr 440V 50 Hz(Single unit)	50	1	MEHVBENY500A44	38473
VarPlus Box APP 440V Range				
APP - Box 3Ph 5kVAr 440V 50Hz	5	1	MEHVBAPP050A44 <input checked="" type="checkbox"/>	3563
APP - Box 3Ph 7.5kVAr 440V 50Hz	7.5	1	MEHVBAPP075A44	5345
APP - Box 3Ph 10kVAr 440V 50Hz	10	1	MEHVBAPP100A44 <input checked="" type="checkbox"/>	6252
APP - Box 3Ph 12.5kVAr 440V 50Hz	12.5	1	MEHVBAPP125A44	7816
APP - Box 3Ph 15kVAr 440V 50Hz	15	1	MEHVBAPP150A44 <input checked="" type="checkbox"/>	9379
APP - Box 3Ph 20kVAr 440V 50Hz	20	1	MEHVBAPP200A44 <input checked="" type="checkbox"/>	12506
APP - Box 3Ph 25kVAr 440V 50Hz	25	1	MEHVBAPP250A44 <input checked="" type="checkbox"/>	15632
APP - Box 3Ph 30kVAr 440V 50Hz	30	1	MEHVBAPP300A44	18793
APP - Box 3Ph 50kVAr 440V 50Hz (Bank 25kVAr x 2 nos)	50	1	MEHVBAPP500A44	34848

Power Factor Correction Products



Detuned Filter Application Capacitors

Description	kVArRating	Minimum Ordering Quantity (No.)	Reference	Unit LP
* Capacitors for 7%/5.7% , 440V Detuned Filter Application				
VarPlus Can (H Duty) 480V Range				
MPP - Heavy Duty Can 3Ph 5.6kVAr 480V 50Hz	5.6	1	MEHVCHDY056A48 <input checked="" type="checkbox"/>	2011
MPP - Heavy Duty Can 3Ph 6.7kVAr 480V 50Hz	6.7	1	MEHVCHDY067A48	2406
MPP - Heavy Duty Can 3Ph 11.3kVAr 480V 50Hz	11.3	1	MEHVCHDY113A48 <input checked="" type="checkbox"/>	3804
MPP - Heavy Duty Can 3Ph 12.5kVAr 480V 50Hz	12.5	1	MEHVCHDY125A48	4208
MPP - Heavy Duty Can 3Ph 14.4kVAr 480V 50Hz	14.4	1	MEHVCHDY144A48 <input checked="" type="checkbox"/>	4852
MPP - Heavy Duty Can 3Ph 15.5kVAr 480V 50Hz	15.5	1	MEHVCHDY155A48	5222
MPP - Heavy Duty Can 3Ph 17kVAr 480V 50Hz	17	1	MEHVCHDY170A48 <input checked="" type="checkbox"/>	5730
MPP - Heavy Duty Can 3Ph 19kVAr 480V 50Hz	19	1	MEHVCHDY190A48	6404
MPP - Heavy Duty Can 3Ph 22.4kVAr 480V 50Hz	22.4	1	MEHVCHDY224A48 <input checked="" type="checkbox"/>	7548
MPP - Heavy Duty Can 3Ph 25kVAr 480V 50Hz	25	1	MEHVCHDY250A48	8426
MPP - Heavy Duty Can 3Ph 28.1kVAr 480V 50Hz	28.1	1	MEHVCHDY281A48 <input checked="" type="checkbox"/>	9462
MPP - Heavy Duty Can 3Ph 31.5kVAr 480V 50Hz	31.5	1	MEHVCHDY315A48	10607
VarPlus Can (GH Duty) 480V Range				
MPP - GasHeavy Duty Can 3Ph 5.6kVAr 480V 50Hz	5.6	1	MEHVCGSF056A48 <input checked="" type="checkbox"/>	2169
MPP - GasHeavy Duty Can 3Ph 6.7kVAr 480V 50Hz	6.7	1	MEHVCGSF067A48	2595
MPP - GasHeavy Duty Can 3Ph 11.3kVAr 480V 50Hz	11.3	1	MEHVCGSF113A48 <input checked="" type="checkbox"/>	4043
MPP - GasHeavy Duty Can 3Ph 12.5kVAr 480V 50Hz	12.5	1	MEHVCGSF125A48	4472
MPP - GasHeavy Duty Can 3Ph 14.4kVAr 480V 50Hz	14.4	1	MEHVCGSF144A48 <input checked="" type="checkbox"/>	5152
MPP - GasHeavy Duty Can 3Ph 15.5kVAr 480V 50Hz	15.5	1	MEHVCGSF155A48	5546
MPP - GasHeavy Duty Can 3Ph 17kVAr 480V 50Hz	17	1	MEHVCGSF170A48 <input checked="" type="checkbox"/>	6083
MPP - GasHeavy Duty Can 3Ph 19kVAr 480V 50Hz	19	1	MEHVCGSF190A48	6799
MPP - GasHeavy Duty Can 3Ph 22.4kVAr 480V 50Hz	22.4	1	MEHVCGSF224A48	8015
MPP - GasHeavy Duty Can 3Ph 25kVAr 480V 50Hz	25	1	MEHVCGSF250A48	8945
MPP - GasHeavy Duty Can 3Ph 28.1kVAr 480V 50Hz	28.1	1	MEHVCGSF281A48 <input checked="" type="checkbox"/>	10091
MPP - GasHeavy Duty Can 3Ph 31.5kVAr 480V 50Hz	31.5	1	MEHVCGSF315A48	11313
VarPlus Box Xtreme H Duty 480V Range New				
MPP - Xtreme Heavy Duty Box 3Ph 5.6kVAr 480V 50Hz	5.6	1	MEHVBHDY056A48	2675
MPP - Xtreme Heavy Duty Box 3Ph 6.7kVAr 480V 50Hz	6.7	1	MEHVBHDY067A48	3201
MPP - Xtreme Heavy Duty Box 3Ph 11.3kVAr 480V 50Hz	11.3	1	MEHVBHDY113A48	4616
MPP - Xtreme Heavy Duty Box 3Ph 14.4kVAr 480V 50Hz	14.4	1	MEHVBHDY144A48	5882
MPP - Xtreme Heavy Duty Box 3Ph 17kVAr 480V 50Hz	17	1	MEHVBHDY170A48	6943
MPP - Xtreme Heavy Duty Box 3Ph 22.4kVAr 480V 50Hz	22.4	1	MEHVBHDY224A48	9114
MPP - Xtreme Heavy Duty Box 3Ph 25kVAr 480V 50Hz	25	1	MEHVBHDY250A48	10174
MPP - Xtreme Heavy Duty Box 3Ph 28.1kVAr 480V 50Hz	28.1	1	MEHVBHDY281A48	11435
MPP - Xtreme Heavy Duty Box 3Ph 31.5kVAr 480V 50Hz	31.5	1	MEHVBHDY315A48	12818
MPP - Xtreme Heavy Duty Box 3Ph 56.1kVAr 480V 50Hz (Single unit)	56.1	1	MEHVBHDY561A48	23656
VarPlus Box Energy (MD-XL) 480V Range				
Energy - MD-XL Box 3Ph 5.6kVAr 480V 50 Hz	5.6	1	MEHVBENY056A48	4191
Energy - MD-XL Box 3Ph 6.7kVAr 480V 50 Hz	6.7	1	MEHVBENY067A48	5014
Energy - MD-XL Box 3Ph 11.3kVAr 480V 50 Hz	11.3	1	MEHVBENY113A48	8079
Energy - MD-XL Box 3Ph 14.4kVAr 480V 50 Hz	14.4	1	MEHVBENY144A48	10303
Energy - MD-XL Box 3Ph 15.5kVAr 480V 50 Hz	15.5	1	MEHVBENY155A48	11091
Energy - MD-XL Box 3Ph 17kVAr 480V 50 Hz	17	1	MEHVBENY170A48	12163
Energy - MD-XL Box 3Ph 19kVAr 480V 50 Hz	19	1	MEHVBENY190A48	13595
Energy - MD-XL Box 3Ph 22.4kVAr 480V 50 Hz	22.4	1	MEHVBENY224A48	16028
Energy - MD-XL Box 3Ph 25.0kVAr 480V 50 Hz	25	1	MEHVBENY250A48	17895
Energy - MD-XL Box 3Ph 28.1kVAr 480V 50 Hz	28.1	1	MEHVBENY281A48 <input checked="" type="checkbox"/>	20114
Energy - MD-XL Box 3Ph 31.5kVAr 480V 50 Hz	31.5	1	MEHVBENY315A48	22546
Energy - MD-XL Box 3Ph 56.1kVAr 480V 50 Hz (single unit)	56.1	1	MEHVBENY561A48	43134

* Refer to Selection chart for Reactors & Capacitors available on page 15

NORMAL STOCK ITEMS

W.E.F. March 12, 2018

Power Factor Correction Products



Detuned Filter Application Capacitors

Description	kVAR Rating	Minimum Ordering Quantity (No.)	Reference	Unit LP
VarPlus Box APP 480V Range				
APP - Box 3Ph 5.6kVAr 480V 50Hz	5.6	1	MEHVBAPP056A48	3985
APP - Box 3Ph 6.7kVAr 480V 50Hz	6.7	1	MEHVBAPP067A48	4767
APP - Box 3Ph 11.3kVAr 480V 50Hz	11.3	1	MEHVBAPP113A48	7075
APP - Box 3Ph 12.5kVAr 480V 50Hz	12.5	1	MEHVBAPP125A48	7827
APP - Box 3Ph 14.4kVAr 480V 50Hz	14.4	1	MEHVBAPP144A48	9017
APP - Box 3Ph 15.5kVAr 480V 50Hz	15.5	1	MEHVBAPP155A48	9693
APP - Box 3Ph 17kVAr 480V 50Hz	17	1	MEHVBAPP170A48	10658
APP - Box 3Ph 19kVAr 480V 50Hz	19	1	MEHVBAPP190A48	11883
APP - Box 3Ph 22.4kVAr 480V 50Hz	22.4	1	MEHVBAPP224A48	14042
APP - Box 3Ph 25kVAr 480V 50Hz	25	1	MEHVBAPP250A48	15636
APP - Box 3Ph 28.1kVAr 480V 50Hz	28.1	1	MEHVBAPP281A48 <input checked="" type="checkbox"/>	17574
APP - Box 3Ph 31.5kVAr 480V 50Hz	31.5	1	MEHVBAPP315A48	19701
APP - Box 3Ph 56.1kVAr 480V 50Hz (Bank 28.1kVAr x 2nos)	56.1	1	MEHVBAPP561A48	39100
* Capacitors for 7%/ 5.7%/ 14% , 440V Filter Application				
VarPlus Can (H Duty) 525V Range				
MPP - Heavy Duty Can 3Ph 6.9kVAr 525V 50Hz	6.9	1	MEHVCHDY069A52	2481
MPP - Heavy Duty Can 3Ph 12.5kVAr 525V 50Hz	12.5	1	MEHVCHDY125A52	4211
MPP - Heavy Duty Can 3Ph 13.8kVAr 525V 50Hz	13.8	1	MEHVCHDY138A52	4649
MPP - Heavy Duty Can 3Ph 15.4kVAr 525V 50Hz	15.4	1	MEHVCHDY154A52	5187
MPP - Heavy Duty Can 3Ph 17.2kVAr 525V 50Hz	17.2	1	MEHVCHDY172A52	5796
MPP - Heavy Duty Can 3Ph 18.5kVAr 525V 50Hz	18.5	1	MEHVCHDY185A52	6232
MPP - Heavy Duty Can 3Ph 20.6kVAr 525V 50Hz	20.6	1	MEHVCHDY206A52	6938
MPP - Heavy Duty Can 3Ph 22.6kVAr 525V 50Hz	22.6	1	MEHVCHDY226A52	7613
MPP - Heavy Duty Can 3Ph 25kVAr 525V 50Hz	25	1	MEHVCHDY250A52	8425
MPP - Heavy Duty Can 3Ph 27.5kVAr 525V 50Hz	27.5	1	MEHVCHDY275A52	9267
MPP - Heavy Duty Can 3Ph 30.6kVAr 525V 50Hz	30.6	1	MEHVCHDY306A52	10311
MPP - Heavy Duty Can 3Ph 33.1kVAr 525V 50Hz	33.1	1	MEHVCHDY331A52 <input checked="" type="checkbox"/>	11196
MPP - Heavy Duty Can 3Ph 34.4kVAr 525V 50Hz	34.4	1	MEHVCHDY344A52	11583
MPP-Heavy Duty Can 3Ph 37.7 kVAr 525V 50Hz	37.7	1	MEHVCHDY377A52	12691
VarPlus Can (GH Duty) 525V Range				
MPP - GasHeavy Duty Can 3Ph 6.9kVAr 525V 50Hz	6.9	1	MEHVCGSF069A52	2679
MPP - GasHeavy Duty Can 3Ph 12.5kVAr 525V 50Hz	12.5	1	MEHVCGSF125A52	4487
MPP - GasHeavy Duty Can 3Ph 13.8kVAr 525V 50Hz	13.8	1	MEHVCGSF138A52	4953
MPP - GasHeavy Duty Can 3Ph 15.4kVAr 525V 50Hz	15.4	1	MEHVCGSF154A52	5491
MPP - GasHeavy Duty Can 3Ph 17.2kVAr 525V 50Hz	17.2	1	MEHVCGSF172A52	6180
MPP - GasHeavy Duty Can 3Ph 18.5kVAr 525V 50Hz	18.5	1	MEHVCGSF185A52	6612
MPP - GasHeavy Duty Can 3Ph 20.6kVAr 525V 50Hz	20.6	1	MEHVCGSF206A52	7401
MPP - GasHeavy Duty Can 3Ph 22.6kVAr 525V 50Hz	22.6	1	MEHVCGSF226A52	8120
MPP - GasHeavy Duty Can 3Ph 25kVAr 525V50Hz	25	1	MEHVCGSF250A52	8976
MPP - GasHeavy Duty Can 3Ph 27.5kVAr 525V50Hz	27.5	1	MEHVCGSF275A52	9882
MPP - GasHeavy Duty Can 3Ph 30.6kVAr 525V50Hz	30.6	1	MEHVCGSF306A52	10994
MPP - GasHeavy Duty Can 3Ph 33.1kVAr 525V50Hz	33.1	1	MEHVCGSF331A52 <input checked="" type="checkbox"/>	11894
MPP - Gas Heavy Duty Can 3Ph 34.4kVAr 525V50Hz	34.4	1	MEHVCGSF344A52	12361
MPP - GasHeavy Duty Can 3Ph 37.7kVAr 525V50Hz	37.7	1	MEHVCGSF377A52	13519

* Refer to Selection chart for Reactors & Capacitors available on page 15

Power Factor Correction Products



Detuned Filter Application Capacitors

Description	kVAr Rating	Minimum Ordering Quantity (No.)	Reference	Unit LP
VarPlus Box Xtreme H Duty 525V Range New				
MPP - Xtreme Heavy Duty Box 3Ph 6.9kVAr 525V 50Hz	6.9	1	MEHVBHDY069A52	2815
MPP - Xtreme Heavy Duty Box 3Ph 12.5kVAr 525V 50Hz	12.5	1	MEHVBHDY125A52	5090
MPP - Xtreme Heavy Duty Box 3Ph 13.8kVAr 525V 50Hz	13.8	1	MEHVBHDY138A52	5630
MPP - Xtreme Heavy Duty Box 3Ph 15.4kVAr 525V 50Hz	15.4	1	MEHVBHDY154A52	6282
MPP - Xtreme Heavy Duty Box 3Ph 17.2kVAr 525V 50Hz	17.2	1	MEHVBHDY172A52	7019
MPP - Xtreme Heavy Duty Box 3Ph 18.5kVAr 525V 50Hz	18.5	1	MEHVBHDY185A52	7560
MPP - Xtreme Heavy Duty Box 3Ph 20.6kVAr 525V 50Hz	20.6	1	MEHVBHDY206A52	8405
MPP - Xtreme Heavy Duty Box 3Ph 22.6kVAr 525V 50Hz	22.6	1	MEHVBHDY226A52	9195
MPP - Xtreme Heavy Duty Box 3Ph 25kVAr 525V 50Hz	25	1	MEHVBHDY250A52	10214
MPP - Xtreme Heavy Duty Box 3Ph 27.5kVAr 525V 50Hz	27.5	1	MEHVBHDY275A52	11229
MPP - Xtreme Heavy Duty Box 3Ph 30.6kVAr 525V 50Hz	30.6	1	MEHVBHDY306A52	12455
MPP - Xtreme Heavy Duty Box 3Ph 33.1kVAr 525V 50Hz	33.1	1	MEHVBHDY331A52	13518
MPP - Xtreme Heavy Duty Box 3Ph 37.7kVAr 525V 50Hz	37.7	1	MEHVBHDY377A52	15345
VarPlus Box Energy (MD - XL) 525V Range				
Energy - MD-XL Box 3Ph 6.9kVAr 525V 50 Hz	6.9	1	MEHVBENY069A52	5163
Energy - MD-XL Box 3Ph 12.5kVAr 525V 50 Hz	12.5	1	MEHVBENY125A52	8935
Energy - MD-XL Box 3Ph 13.8kVAr 525V 50 Hz	13.8	1	MEHVBENY138A52	9875
Energy - MD-XL Box 3Ph 15.4kVAr 525V 50 Hz	15.4	1	MEHVBENY154A52	11009
Energy - MD-XL Box 3Ph 17.2kVAr 525V 50 Hz	17.2	1	MEHVBENY172A52	12288
Energy - MD-XL Box 3Ph 18.5kVAr 525V 50 Hz	18.5	1	MEHVBENY185A52	13219
Energy - MD-XL Box 3Ph 20.6kVAr 525V 50 Hz	20.6	1	MEHVBENY206A52	14719
Energy - MD-XL Box 3Ph 22.6kVAr 525V 50 Hz	22.6	1	MEHVBENY226A52	16133
Energy - MD-XL Box 3Ph 25kVAr 525V 50 Hz	25	1	MEHVBENY250A52	17876
Energy - MD-XL Box 3Ph 27.5kVAr 525V 50 Hz	27.5	1	MEHVBENY275A52	19643
Energy - MD-XL Box 3Ph 30.6kVAr 525V 50 Hz	30.6	1	MEHVBENY306A52	21870
Energy - MD-XL Box 3Ph 33.1kVAr 525V 50 Hz	33.1	1	MEHVBENY331A52	23647
Energy - MD-XL Box 3Ph 37.7kVAr 525V 50 Hz	37.7	1	MEHVBENY377A52	26942
VarPlus Box APP 525V Range				
APP - Box 3Ph 6.9kVAr 525V 50Hz	6.9	1	MEHVBAPP069A52	4910
APP - Box 3Ph 9.2kVAr 525V 50Hz	9.2	1	MEHVBAPP092A52	6549
APP - Box 3Ph 12.5kVAr 525V 50Hz	12.5	1	MEHVBAPP125A52	7817
APP - Box 3Ph 13.8kVAr 525V 50Hz	13.8	1	MEHVBAPP138A52	8626
APP - Box 3Ph 15.4kVAr 525V 50Hz	15.4	1	MEHVBAPP154A52	9626
APP - Box 3Ph 17.2kVAr 525V 50Hz	17.2	1	MEHVBAPP172A52	10773
APP - Box 3Ph 18.5kVAr 525V 50Hz	18.5	1	MEHVBAPP185A52	11569
APP - Box 3Ph 20.6kVAr 525V 50Hz	20.6	1	MEHVBAPP206A52	12884
APP - Box 3Ph 22.6kVAr 525V 50Hz	22.6	1	MEHVBAPP226A52	14133
APP - Box 3Ph 25kVAr 525V 50Hz	25	1	MEHVBAPP250A52	15638
APP - Box 3Ph 27.5kVAr 525V 50Hz	27.5	1	MEHVBAPP275A52	17200
APP - Box 3Ph 30.6kVAr 525V 50Hz	30.6	1	MEHVBAPP306A52	19138
APP - Box 3Ph 33.1kVAr 525V 50Hz	33.1	1	MEHVBAPP331A52	20701
APP - Box 3Ph 37.7kVAr 525V 50Hz	37.7	1	MEHVBAPP377A52	23578

Refer to Selection chart for Reactors & Capacitors available on page 15

NORMAL STOCK ITEMS

W.E.F. March 12, 2018

PFC - Detuned Reactors



Detuned Reactor 440V Range

Description	kVAr Rating	Minimum Ordering Quantity (No.)	Reference	Unit LP
VarPlus Detuned Reactor 5.7%, 440V Range				
Detuned Reactor 5.7% 3Ph 5kVAr 440V 50Hz	5	1	LVR05050A44	9800
Detuned Reactor 5.7% 3Ph 10kVAr 440V 50Hz	10	1	LVR05100A44	14166
Detuned Reactor 5.7% 3Ph 12.5kVAr 440V 50Hz	12.5	1	LVR05125A44	16200
Detuned Reactor 5.7% 3Ph 15kVAr 440V 50Hz	15	1	LVR05150A44	17177
Detuned Reactor 5.7% 3Ph 20kVAr 440V 50Hz	20	1	LVR05200A44	18232
Detuned Reactor 5.7% 3Ph 25kVAr 440V 50Hz	25	1	LVR05250A44	17100
Detuned Reactor 5.7% 3Ph 50kVAr 440V 50Hz	50	1	LVR05500A44	28594
Detuned Reactor 5.7% 3Ph 75kVAr 440V 50Hz	75	1	LVR05750A44	42890
Detuned Reactor 5.7% 3Ph 100kVAr 440V 50Hz	100	1	LVR05X00A44	57187
VarPlus Detuned Reactor 7%, 440V Range				
Detuned Reactor 7% 3Ph 5kVAr 440V 50Hz	5	1	LVR07050A44 <input checked="" type="checkbox"/>	8633
Detuned Reactor 7% 3Ph 10kVAr 440V 50Hz	10	1	LVR07100A44 <input checked="" type="checkbox"/>	12477
Detuned Reactor 7% 3Ph 12.5kVAr 440V 50Hz	12.5	1	LVR07125A44 <input checked="" type="checkbox"/>	14268
Detuned Reactor 7% 3Ph 15kVAr 440V 50Hz	15	1	LVR07150A44 <input checked="" type="checkbox"/>	15129
Detuned Reactor 7% 3Ph 20kVAr 440V 50Hz	20	1	LVR07200A44 <input checked="" type="checkbox"/>	16059
Detuned Reactor 7% 3Ph 25kVAr 440V 50Hz	25	1	LVR07250A44 <input checked="" type="checkbox"/>	15061
Detuned Reactor 7% 3Ph 50kVAr 440V 50Hz	50	1	LVR07500A44 <input checked="" type="checkbox"/>	25058
Detuned Reactor 7% 3Ph 75kVAr 440V 50Hz	75	1	LVR07750A44 <input checked="" type="checkbox"/>	37588
Detuned Reactor 7% 3Ph 100kVAr 440V 50Hz	100	1	LVR07X00A44 <input checked="" type="checkbox"/>	50118
VarPlus Detuned Reactor 14%, 440V Range				
Detuned Reactor 14% 3Ph 5kVAr 440V 50Hz	5	1	LVR14050A44	13142
Detuned Reactor 14% 3Ph 10kVAr 440V 50Hz	10	1	LVR14100A44	18685
Detuned Reactor 14% 3Ph 12.5kVAr 440V 50Hz	12.5	1	LVR14125A44	22016
Detuned Reactor 14% 3Ph 15kVAr 440V 50Hz	15	1	LVR14150A44	22652
Detuned Reactor 14% 3Ph 20kVAr 440V 50Hz	20	1	LVR14200A44	24580
Detuned Reactor 14% 3Ph 25kVAr 440V 50Hz	25	1	LVR14250A44	24092
Detuned Reactor 14% 3Ph 50kVAr 440V 50Hz	50	1	LVR14500A44	40186
Detuned Reactor 14% 3Ph 75kVAr 440V 50Hz	75	1	LVR14750A44	60279
Detuned Reactor 14% 3Ph 100kVAr 440V 50Hz	100	1	LVR14X00A44	80371

Power Factor Correction Products



APFC Relays

Description	No. of Step	Minimum Ordering Quantity (No.)	Reference	Unit LP
Varlogic APFC Relays - Classic Range				
RT6 , 6 step, 440V, 5A	6	1	51207	11466
RT8 , 8 step, 440V, 5A	8	1	51209	14862
RT12 , 12 step, 440V, 5A	12	1	51213	17242
VarPlus Logic APFC Relays - Advanced Range				
VPL06, 6 step LCD Display , 90V - 550V 50/60Hz 1A/5A with RS485	6	1	VPL06N	25543
VPL12, 12 step LCD Display , 90V - 550V 50/60Hz 1A/5A with RS485	12	1	VPL12N	27581

Capacitor Duty Contactors (AC Control)



- Conformance to IEC 60070 and 60831,UL, CSA
- Special Contactors designed for switching of 3 Phase, single or multi step capacitor bank#
- Current limiting using block of early make poles and damping resistors
- Inbuilt auxiliary contact

Nominal Reactive Power 440 V	Auxiliary Contacts	Reference	Unit MRP
LC1-D•K - with Damping Resistors & Block of Early Make polesz			
12.5 kVar	1 NO + 1 NC	LC1DFK*	2600
16.7 kVar	1 NO + 1 NC	LC1DGK11*C	3650
20 kVar	1 NO + 1 NC	LC1DLK*	4100
25 kVar	1 NO + 1 NC	LC1DMK11*C	4500
33.3 kVar	1 NO + 2 NC	LC1DPK*C	9800
40 kVar	1 NO + 2 NC	LC1DTK*C	13500
60 kVar	1 NO + 2 NC	LC1DWK*C	15200

#Contactor recommended upto 6 steps. For over 6 steps it is recommended to use chokes

* Reference to be completed by adding coil voltage code

* Coil Voltage Code

VOLTAGE	110	220
LC1DPKDWK 50HZ	F7	M7

Note: For ordering contactors with other coil voltages & frequencies, please add Rs 190/- to the unit price of the standard contactor of the same rating. For details on non standard references, technical parameters, accessories, compatibility, stockable and non stockable status please contact Customer Care

Power Factor Correction Equipment- VarSet



Reliable

- > Achieves Target set PF
- > Reduces demand kVA
- > Eliminates PF Penalty
- > Highest output to steps ratio "0"
- > Fuel savings in DG

Safe

- > 3ph simultaneous PSD
- > Burst proof capacitors
- > Detuned Reactors- No Harmonic Amplification
- > Minimum switching transient

Embedded Intelligence

- > Auto start, Auto detection, Auto polarity check, Auto c/k
- > Thermal intelligence
- > Harmonic intelligence
- > Asset management and performance
- > PQ Disturbance detection (Optional)

Digitize

- > Flexible to move to connected world
- > Web page monitor facility through Schneider Gateway devices (Optional)
- > Seam less integration with PME, PSE

Quality of construction

- > Compliance to IEC 61921 and Indian Standards.
- > Stringent quality control measures
- > Best Engineering practices
- > Best thermal design for heat dissipation



NORMAL STOCK ITEMS

W.E.F. March 12, 2018

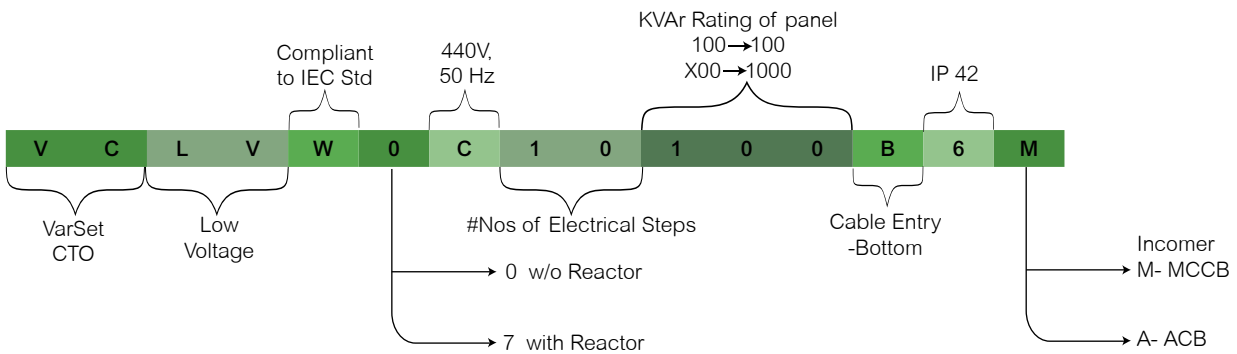
Power Factor Correction Equipment- VarSet

VarSet LV APFC panels without reactors



Panel Ratings	Step Configuration in kVAr	Cat Reference No.	Dimensions (in mm) W x D x H	Unit LP
Incomer MCCB				
100	3x10kVAr + 1x20kVAr + 1x50kVAr	VCLVW0C10100B6M	800 x 600 x 1800	300855
125	2x12.5kVAr + 2x25kVAr + 1x50kVAr	VCLVW0C10125B6M	800 x 600 x 1800	314744
150	2x12.5kVAr + 1x25kVAr + 2x50kVAr	VCLVW0C12150B6M	800 x 600 x 1800	350444
200	2x12.5kVAr + 1x25kVAr + 3x50kVAr	VCLVW0C16200B6M	800 x 600 x 1800	404762
250	2x12.5kVAr + 1x25kVAr + 4x50kVAr	VCLVW0C20250B6M	800 x 600 x 2000	451905
300	2x12.5kVAr + 1x25kVAr + 5x50kVAr	VCLVW0C24300B6M	1000 x 600 x 2000	531190
350	2x12.5kVAr + 1x25kVAr + 6x50kVAr	VCLVW0C28350B6M	1000 x 600 x 2000	559524
400	2x25kVAr + 3x50kVAr + 2x100kVAr	VCLVW0C16400B6M	1200 x 800 x 2000	576190
500	2x25kVAr + 3x50kVAr + 3x100kVAr	VCLVW0C20500B6M	1200 x 800 x 2000	717857
Incomer ACB				
500	2x25kVAr + 3x50kVAr + 3x100kVAr	VCLVW0C20500B6A	1200 x 800 x 2000	765238
600	2x25kVAr + 3x50kVAr + 4x100kVAr	VCLVW0C24600B6A	1600 x 800 x 2000	881190
700	2x25kVAr + 3x50kVAr + 5x100kVAr	VCLVW0C28700B6A	1600 x 800 x 2000	987811
750	2x25kVAr + 4x50kVAr + 5x100kVAr	VCLVW0C30750B6A	1600 x 800 x 2000	1049744
800	2x25kVAr + 3x50kVAr + 6x100kVAr	VCLVW0C32800B6A	2000 x 800 x 2000	1088806
900	2x25kVAr + 3x50kVAr + 7x100kVAr	VCLVW0C36900B6A	2000 x 800 x 2000	1179744
1000	2x25kVAr + 1x50kVAr + 9x100kVAr	VCLVW0C40X00B6A	2000 x 800 x 2000	1244359

Cat Reference Creation



Product offer:

VarSet LV APFC panels with 7% / without Reactors

Ratings = 100kVAr to 1000kVAr
Capacitor = MPP HD Can 440/480V, with 3ph simultaneous PSD

General Features:

System voltage = 440V
Frequency = 50Hz
Phase = 3
Design = Modular / Expandable
IP = IP42
Switching = Random

Incomer:

Upto 500kVAr = MCCB, 36kA
500 to 1000kVAr = ACB, 65kA
Step protection = MCCBs, 36kA


Switching:

Capacitor duty
Contactor - without Reactor design
Power Contactors - with Reactor design

Power Factor Correction Equipment- VarSet

VarSet LV APFC panels with 7% reactors



Panel Ratings	Step Configuration in kVAr	Cat Reference No.	Dimensions (in mm) W x D x H	Unit LP 
Incomer MCCB				
100	3x10kVAr + 1x20kVAr + 1x50kVAr	VCLVW7C10100B6M	1300 x 600 x 1800	367949
125	2x12.5kVAr + 2x25kVAr + 1x50kVAr	VCLVW7C10125B6M	1300 x 600 x 1800	388462
150	2x12.5kVAr + 1x25kVAr + 2x50kVAr	VCLVW7C12150B6M	1300 x 600 x 1800	428000
200	2x12.5kVAr + 1x25kVAr + 3x50kVAr	VCLVW7C16200B6M	1300 x 600 x 1800	497381
250	2x12.5kVAr + 1x25kVAr + 4x50kVAr	VCLVW7C20250B6M	1300 x 600 x 2000	554048
300	2x12.5kVAr + 1x25kVAr + 5x50kVAr	VCLVW7C24300B6M	1500 x 800 x 2000	660000
350	2x12.5kVAr + 1x25kVAr + 6x50kVAr	VCLVW7C28350B6M	1500 x 800 x 2000	697619
400	2x25kVAr + 3x50kVAr + 2x100kVAr	VCLVW7C16400B6M	1700 x 800 x 2000	702619
500	2x25kVAr + 3x50kVAr + 3x100kVAr	VCLVW7C20500B6M	1700 x 800 x 2000	866905
Incomer ACB				
500	2x25kVAr + 3x50kVAr + 3x100kVAr	VCLVW7C20500B6A	1700 x 800 x 2000	914286
600	2x25kVAr + 3x50kVAr + 4x100kVAr	VCLVW7C24600B6A	2100 x 800 x 2000	1043571
700	2x25kVAr + 3x50kVAr + 5x100kVAr	VCLVW7C28700B6A	2200 x 800 x 2000	1182090
750	2x25kVAr + 4x50kVAr + 5x100kVAr	VCLVW7C30750B6A	2200 x 800 x 2000	1259231
800	2x25kVAr + 3x50kVAr + 6x100kVAr	VCLVW7C32800B6A	3000 x 800 x 2000	1333831
900	2x25kVAr + 3x50kVAr + 7x100kVAr	VCLVW7C36900B6A	3000 x 800 x 2000	1449231
1000	2x25kVAr + 1x50kVAr + 9x100kVAr	VCLVW7C40X00B6A	3000 x 800 x 2000	1531538

Note:

- 1) Prices mentioned above are Ex-works Bangalore
- 2) Prices are exclusive of GST
- 3) For any further clarification contact Schneider Electric sales office or Customer Care Center



Accusine PCS+

- All in one: Harmonics, PF, Load unbalance, Flicker
- Fully selectable harmonics: 2nd to 50th
- Flexible CT connection: Load side/ source side
- Suitable to work in Harsh environment including marine application
- Parallel connection up to 99 units - any combination of models
- Standards compliance / certification: cULis (UL508, CSA 22.2 No.14) CE Certified
- PCBA Protection - conformal coating on all PCBAs pollution Degree 2



Harmonic Filtration Equipment- AccuSine



- 3 Ph, 4 wire connection
- From 400V - 440V supply
- Parallel connection up to 4 units
- Harmonic cancellation spectrum from 2nd to 50th harmonic order
- Neutral current correction: 3 times unit rating

AccuSine SWP

Description	AMPS	Minimum Ordering Quantity (No.)	Reference	Unit LP
AccuSine SWP (Single Unit)				
AccuSine SWP 20A 400V 50-60Hz IP20 Unitary	20	1	PCS020Y4IP20U	on request
AccuSine SWP 30A 400V 50-60Hz IP20 Unitary	30	1	PCS030Y4IP20U	on request
AccuSine SWP 45A 400V 50-60Hz IP20 Unitary	45	1	PCS045Y4IP20U	on request
AccuSine SWP 60A 400V 50-60Hz IP20 Unitary	60	1	PCS060Y4IP20U	on request
AccuSine SWP 90A 400V 50-60Hz IP20 Unitary	90	1	PCS090Y4IP20U	on request
AccuSine SWP 120A 400V 50-60Hz IP20 Unitary	120	1	PCS120Y4IP20U	on request
AccuSine SWP (Parallel Unit application)				
AccuSine SWP 20A 400V 50-60Hz IP20 Parallel	20	1	PCS020Y4IP20P	on request
AccuSine SWP 30A 400V 50-60Hz IP20 Parallel	30	1	PCS030Y4IP20P	on request
AccuSine SWP 45A 400V 50-60Hz IP20 Parallel	45	1	PCS045Y4IP20P	on request
AccuSine SWP 60A 400V 50-60Hz IP20 Parallel	60	1	PCS060Y4IP20P	on request
AccuSine SWP 90A 400V 50-60Hz IP20 Parallel	90	1	PCS090Y4IP20P	on request
AccuSine SWP 120A 400V 50-60Hz IP20 Parallel	120	1	PCS120Y4IP20P	on request

Note: Active Harmonic Filter prices on request



Accusine PCS+

- 3 Ph, 3 wire connection
- From 208V to 690V supply
- Parallel connection up to 99 units - any combination of models
- Harmonic cancellation spectrum from 2nd to 50th harmonic order
- Load balancing of source current
- DPF correction
- Can be used with PF capacitors as Hybrid VAR compensation (HVC) system

Description	AMPS	Minimum Ordering Quantity (No.)	Reference	Unit LP
AccuSine PCS+				
AccuSine PCS+ 60A 380V- 480V 50- 60Hz IP31	60	1	PCSP060D5IP31	on request
AccuSine PCS+ 120A 380V - 480V 50- 60Hz IP31	120	1	PCSP120D5IP31	on request
AccuSine PCS+ 200A 380V- 480V 50- 60Hz IP31	200	1	PCSP200D5IP31	on request
AccuSine PCS+ 300A 380V- 480V 50- 60Hz IP31	300	1	PCSP300D5IP31	on request
AccuSine PCS+ 60A 380V-480V 50- 60Hz IP54	60	1	PCSP060D5IP54	on request
AccuSine PCS+ 120A 380V-480V 50- 60Hz IP54	120	1	PCSP120D5IP54	on request
AccuSine PCS+ 200A 380V- 480V 50- 60Hz IP54	200	1	PCSP200D5IP54	on request
AccuSine PCS+ 300A 380V- 480V 50- 60Hz IP54	300	1	PCSP300D5IP54	on request

Note: Active Harmonic Filter prices on request

Selection of capacitor (kVAr & Voltage) for Detuned filter Application

Effective kVAr out put of Detuned Filter @ 440V	Selection of 480V capacitors for 7%/ 5.7% detuned Reactor for 440V	Selection of 525V capacitors for 7%/ 5.7% detuned Reactor for 440V	Selection of 525V capacitors for 14% detuned Reactor for 440V
5	5kVAr 7%/5.7% Reactor + 5.6kVAr, 480V Capacitor	5kVAr 7%/5.7% Reactor + 6.9kVAr, 525V Capacitor	5kVAr 14% Reactor + 6.9kVAr, 525V Capacitor
10	10kVAr 7%/5.7% Reactor + 11.3kVAr, 480V Capacitor	10kVAr 7%/5.7% Reactor + 13.8kVAr, 525V Capacitor	10kVAr 14% Reactor + 12.5kVAr, 525V Capacitor
12.5	12.5kVAr 7%/5.7% Reactor + 14.4kVAr, 480V Capacitor	12.5kVAr 7%/5.7% Reactor + 17.2kVAr, 525V Capacitor	12.5kVAr 14% Reactor + 15.4kVAr, 525V Capacitor
15	15kVAr 7%/5.7% Reactor + 17kVAr, 480V Capacitor	15kVAr 7%/5.7% Reactor + 20.6kVAr, 525V Capacitor	15kVAr 14% Reactor + 18.5kVAr, 525V Capacitor
20	20kVAr 7%/5.7% Reactor + 22.4kVAr, 480V Capacitor	20kVAr 7%/5.7% Reactor + 27.5kVAr, 525V Capacitor	20kVAr 14% Reactor + 25kVAr, 525V Capacitor
25	25kVAr 7%/5.7% Reactor + 28.1kVAr, 480V Capacitor	25kVAr 7%/5.7% Reactor + 33.1kVAr, 525V Capacitor	25kVAr 14% Reactor + 30.6kVAr, 525V Capacitor
50	50kVAr 7%/5.7% Reactor + 2 x 28.1kVAr, 480V Capacitor	50kVAr 7%/5.7% Reactor + 2 x 33.1kVAr, 525V Capacitor	50kVAr 14% Reactor + 2 x 30.6kVAr, 525V Capacitor
75	75kVAr 7%/5.7% Reactor + 3 x 28.1kVAr, 480V Capacitor	75kVAr 7%/5.7% Reactor + 3 x 33.1kVAr, 525V Capacitor	75kVAr 14% Reactor + 3 x 30.6kVAr, 525V Capacitor
100	100kVAr 7%/5.7% Reactor + 4 x 28.1kVAr, 480V Capacitor	100kVAr 7%/5.7% Reactor + 4 x 33.1kVAr, 525V Capacitor	100kVAr 14% Reactor + 4 x 30.6kVAr, 525V Capacitor

Life Is 

Schneider
 Electric

Schneider Electric India Pvt. Ltd.

Corporate Office: 9th Floor, DLF Building No. 10, Tower C, DLF Cyber City, Phase II, Gurugram 122002 Haryana
Tel.: ++91 124 3940400 Fax: ++91 124 4222036/ 037

Ahmedabad
Schneider Electric India (P) Ltd.
1506-1507, 15th Floor Shapth-5,
SG Highway, Ahmedabad - 380015
Tel.: 079-66826701

Cochin
Schneider Electric India (P) Ltd.
41 / 406- D1,3rd Floor, Beejay Towers,
Rajaji Road Cochin- 682035
Tel.: 0484-3048401

Ludhiana
Schneider Electric India (P) Ltd.
Office No. - 3, 5th Floor, Novelty Plaza
Bhaiwala Chowk
Ludhiana- 140001
Tel.: 0161- 4656672-75

Secunderabad
D.No. 1-8-271, # 401, Ashoka Bhoopal
Chambers, SP Road,
Secunderabad - 500003
Tel.: 04039404000
Fax.: 040-39131313

Bengaluru
Schneider Electric India (P) Ltd.
No. 3/1, JP Techno Park,
Mezzanine Floor, Millers Tank Bund
Road, Vasanth Nagar,
Bengaluru - 560052. Tel.: 080-71481351

Coimbatore
Schneider Electric India (P) Ltd.
No. -104, Classic Tower, 3rd Floor,
Trichy Road, Coimbatore- 641018
Tel.: 0422-3940400

Mumbai
Schneider Electric India (P)(Ltd)
Marwah House, 2nd Floor
Krishanlal Marwah Marg,
Andheri (East), Mumbai - 400072
Tel.: 91-22-30263300

Vadodara
605 & 606, 6th Floor Ocean Building,
Opp.Vadodara Central, Sarabhai Road,
Vadodara-390005
Tel.: 0265-3940400

Bhubaneswar:
Schneider Electric India (P) Ltd.
6th Floor, Block A, JSS Software Technol-
ogy park , E 1/1 , Chandaka Industrial
Estate, Info City , Bhubaneswar -751025
Tel.: 0674-6672000

Jaipur
Schneider Electric India (P) Ltd.
Jaipur Business Centre 309, 3rd
Floor, Sangam Tower 190, Church
Road, Jaipur-302001
Tel.: 0141-3912903

Nagpur
Schneider Electric India (P) Ltd.
Fortune Business Centre, 6,
Basant Vihar, W.H.C Road
Shankar Nagar, Nagpur- 440010
Tel.: 0712-2558581

Vishakhapatnam
Schneider Electric India (P) Ltd.
Ratnam's Business Centre,
D.N.10-1-43, 1st Floor
Siripuram Fort,C.B.M.Compound,
Visakhapatnam- 530016
Tel.: 0891 - 2508990

Chandigarh
Schneider Electric India (P) Ltd.
2nd Floor of Tower A
Bestech Business Tower
Sector-66
Mohali- 160059
Tel.: 0172-3324500

Kolkata
Schneider Electric (I)Pvt.Ltd.,
BP-4, Sector-V
Technopolis
3rd floor, Salt Lake City
Kolkata- 700 091
Tel.: 033-333640100-101

Nashik:
Schneider Electric India (P) Ltd.
401, 4th Floor Rishi Raj Towers, Jehan
Circle, Gangapur Road,
Nashik- 422013
Tel: +91-7620498557

Chennai
Schneider Electric India (P) Ltd.
No:29, 2nd floor, Bannari Amman Towers,
B-Block,RK Salai, Mylapore
Chennai - 600 004
Tel.:044- 39404000

Lucknow
Schneider Electric India (P) Ltd.
1st Floor, Asha Bhawan 27 / II -A,
Gokhale Marg, Lucknow- 226001
Tel.: 0522-4006010

Pune
Schneider Electric India (P) Ltd.
1st Floor, R.B. Business Centre
Above Dass Electronics
Sanghvi Nagar, Aundh, Pune- 411007
Tel.: 020-39404000

Customer Care Centre

Monday-Saturday, 9 a.m. to 8 p.m.

Toll-free numbers: 1800 419 4272, 1800 103 0011

Email: customer care.in@schneider-electric.com

For more information, visit our website at: www.schneider-electric.co.in

- All Prices are in Indian Rupees.
- Prices are subject to change without notice.
- Prices charged will be as prevailing on the date of dispatch.
- Maximum Retail Price (MRP) is inclusive of all taxes

- Tax incidence on invoices is basis applicable GST rates. Invoice amount not to exceed MRP.
- Invoice Amount = (MRP – less Applicable discount) + Applicable GST %

Distributor